

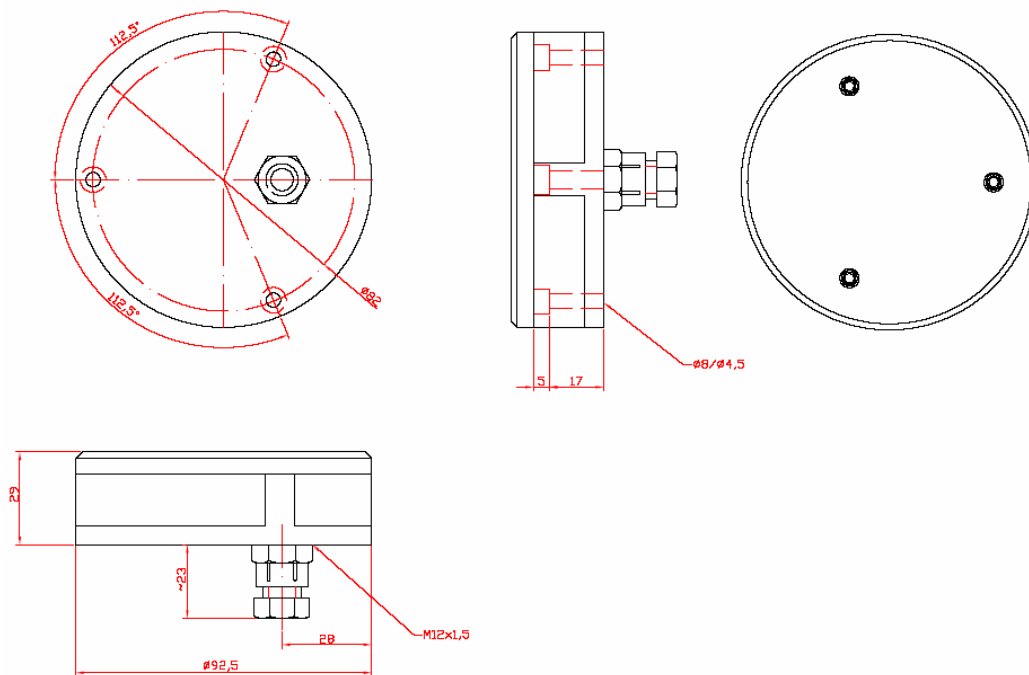
Dear Customer,

Thank you for purchasing Lopolights unique navigation lights.  
 The Lopolight products are covered by a 5-year limited warranty.  
 Read more about Lopolight at [www.lopolight.com](http://www.lopolight.com).

This sheet is a general guideline showing hints and examples. Some of the examples shown may not comply fully with your Lopolight model. The general idea is that the mounting base can be shaped by the user to fit any individual mast. You can drill – cut and shape the base in any way you like, but do not destroy the 3 predrilled M4 holes. Remember that we have put a lot of effort into making Lopolight as reliable as possible – and emphasise the importance of making a proper and thorough installation of both mechanical and electric parts. Good luck!

Please do NOT use alcohol for cleaning your Lopolight – this could damage the lens.

1. Remove old masthead light, and determine if the existing holes can be used. Drill new holes if necessary.
2. Mark the holes in the mounting base. The measurement taken under point 1 must now be marked on the mounting base.
3. Drill new holes in the mounting base - and mount it on the masthead. Remember to fit the power cable. The Lopolight can now easily be bolted on to the base, using the three pre-drilled M4 holes. The base can/must be shaped in any suitable way to fit your needs.
4. Connect the power cable terminals - The ring terminals should be soldered onto the wires to ensure the best possible connection – DO NOT SOLDER ONTO A TERMINAL THAT IS BOLTED ONTO THE LOPOLIGHT. The heat may destroy the internal electronics. Other connection methods can be used – but soldering is the most reliable.
5. Make sure polarity is correct - Your Lopolight LED nav-light will only function if the polarity is correct. Please ensure that the “+” wire is connected to the terminal marked “+” (or 10-32 Volt). All Lopolight products accept any voltage between 10 and 32 Volt.
6. IMPORTANT: In order to avoid galvanic corrosion the terminals MUST be thoroughly waterproofed - Use a small amount of ‘Sikaflex’ or 3M ‘5200’ (not included with the light) to cover all exposed parts of terminals, wires and terminal bolts - let it cure before mounting the cover. Do NOT use silicone grease or similar, as it will wash away over time and cause the light to malfunction.



The navigation light should not be grounded.

#### Troubleshooting

If the light does not function:

- Check that you have a voltage between 10 and 32 volts.
- Check that the polarity is right.

#### Distributors:

**Australia:** Southern Seas Marine, [sales@southernseasmarine.com](mailto:sales@southernseasmarine.com), +61 7 55029666. **Benelux:** Sailtron b.v., [sailtron@sailtron.com](mailto:sailtron@sailtron.com), +31 (0)30-2840850.

**Canada:** Stright-MackKay Ltd., [info@stright-mackkay.com](mailto:info@stright-mackkay.com), +1 (902) 928-1900. **Denmark:** Polaris Electronics A/S, [info@polaris-as.dk](mailto:info@polaris-as.dk), +45 9631 7900.

**Finland:** OY Vestek AB, [vestek@vestek.fi](mailto:vestek@vestek.fi), +358 9 887 0120. **France:** Gréement Import, [info@wanadoo.fr](mailto:info@wanadoo.fr), +33 (0) 228 030101. **Germany:** Peter Frisch GmbH, [info@frisch.de](mailto:info@frisch.de), +49 89 36 50 75. **Italy:** Tomasoni Topsail S.p.A., [group@tomasoni.com](mailto:group@tomasoni.com), +39 0185 2001. **New Zealand:** Enertec Marine Systems, [info@enertecservices.co.nz](mailto:info@enertecservices.co.nz), +64 9 414 4730. **Norway:** Polaris Electronics Norge AS, [mail@polaris-as.no](mailto:mail@polaris-as.no), +47 23 06 93 40. **Portugal:** NautiRadar, [comercial@nautiradar.pt](mailto:comercial@nautiradar.pt), +351 21300 5050. **Slovenia/Croatia:** DNA - Miha Špendal, [x-yahts-jadran@siol.com](mailto:x-yahts-jadran@siol.com), +386 41 730 970. **South Africa:** Manex & Power Marine, +21 511 7292, [manex@manex.co.za](mailto:manex@manex.co.za). **Spain:** Yatess Servicios Nauticos S.L., +34 971 730175, [yatess@yatess.com](mailto:yatess@yatess.com). **Sweden:** Cordland Marine AB, [cordland@cordland.se](mailto:cordland@cordland.se), +46 (0)340-658970. **U.A.E.:** Exalto Emirates Ltd, [info@exalto-emirates.com](mailto:info@exalto-emirates.com), +971-(0)6-5240597. **UK:** IMP, [sales@improducts.co.uk](mailto:sales@improducts.co.uk), +44 (0)1763 241300. **USA:** Euro Marine Trading Inc., [sales@euromarinetrading.com](mailto:sales@euromarinetrading.com), +1 (401) 849 0060.

**Other markets:** Lopolight ApS, [info@lopolight.com](mailto:info@lopolight.com), +45 3248 5030, Ved Klaedebo 12B, DK-2970 Hoersholm, Denmark.